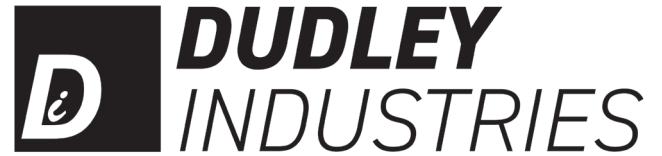


Safeguard: Anti-Ligature & Dementia Range

Multi-flat Toilet Tissue Dispenser Complete System



Product Codes:

Dispenser: 78834 (WH/BL/SS)

Wall Plate: 78836 (WH/BL/SS)

Product Description:

- Toilet tissue dispenser suitable for multi-flat paper type
- Contemporary angular design reduces the potential to attach a ligature for the purposes of self-harm
- Dispenser works standalone but also fits securely into the recess provided by the wall plate, further preventing the potential for ligature points in high risk areas
- Also available in Blue and White to provide high contrast identification to aid recognition for individuals with dementia
- Easy for staff to refill
- Recessed lock protects the contents
- Manufactured from high grade stainless steel for robustness and durability
- Finished with an attractive brushed steel surface or power coated



Available finishes:



White

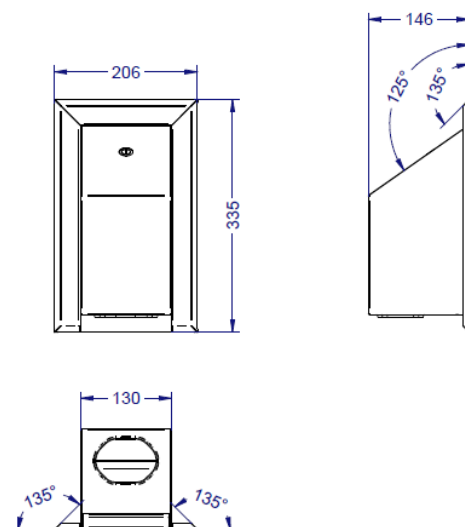


Blue



Brushed
Stainless Steel

Material:	Stainless Steel
Dispenser Dimensions:	W.130mm x H.276mm x D.144mm
Wall Plate Dimensions:	W.206mm x H.335mm x D.10mm
Complete Dimensions:	W.206mm x H.335mm x D.146mm
Packing/Carton:	1 piece
Finish:	Brushed or Powder Coated



Dudley Industries Ltd
Preston Road, Lytham St Annes, Lancashire. FY8 5AT

Tel: +44 (0) 1253 738311
Email: sales@dudleyindustries.com
Web: www.dudleyindustries.com

